

# ChargePoint Express Plus



**A flexible DC Fast Charging platform that grows with you.**

ChargePoint, Inc. reserves the right to alter product offerings and specifications at any time without notice, and is not responsible for typographical or graphical errors that may appear in this document

## Express Plus Specifications

### Express Plus Power Module

#### Express Plus Power Module Output

Max Output Power	40 kW
Max Output Current	100 A
Power Conversion Efficiency	Up to 96%
Power Factor	0.99 at full load

#### Express Plus Power Module Specifications

Power Module Dimensions	430 mm (H) x 130 mm (W) x 760 mm (L) (1'5" x 5" x 2'6")
Power Module Weight	45 kg (98.5 lb)
Power Module Cooling	Liquid Cooled Technology
Harmonics	iTHD < 5% (Complies with IEEE 519)

### Express Plus Power Block

#### Express Plus Power Block Input

Input Rating	3-phase, 400-480Y VAC, 310-260 A 50/60Hz
Wiring	L1, L2, L3, Earth
Short Circuit Current Rating	65 kA

#### Express Plus Power Block Output

Max Output Power	200 kW
Output Voltage, Charging	200V – 1000V
Max Current per Output	200A, 250A, 300A, 350A, 500A*
Number of Stations Served	One Power Block can serve up to 2 Power Link stations. Additional Power Blocks can be added to serve more stations or increase power output.
Max Power Modules per Power Block	5

\* Subject to site configuration and installed stations

ChargePoint, Inc. reserves the right to alter product offerings and specifications at any time without notice, and is not responsible for typographical or graphical errors that may appear in this document

### Express Plus Power Block Specifications

Power Block Dimensions	2191 mm (H) x 988 mm (W) x 1039 mm (L) (7'3" x 3'3" x 3'5")
Power Block Weight	455 kg (1000 lbs) without Power Modules
Power Block Enclosure Rating	Type 3R, IP56

### Express Plus Power Link

#### Express Plus Power Link Output

Max Output Power	200kW, 250kW, 300kW, 350kW with Power Blocks
Output Voltage, Charging	200V – 1000V
CCS1 Max Output Current**	Option 1: 200A continuous with Power Blocks Option 2: 375A peak, 350A continuous with Power Blocks
CCS2 Max Output Current**	Option 1: 250A continuous with Power Blocks Option 2: 375A peak, 300A continuous with Power Blocks
CHAdeMO Max Output Current**	Option 1: NA & EU: 200A continuous with Power Blocks Option 2: NA: 140A, EU: 125A continuous with Power Blocks

\*\*Availability may vary

#### Express Plus Power Link Specifications

Station Dimensions	2400mm (H) x 720mm (W) x 280mm (D) (7'11" x 2'5" x 11")
Station Footprint	965mm (W) x 635mm (D) (3'2" x 2'1") with Cable Management
Station Weight	250 kg (550 lbs)
Number of Connectors	Up to 2 connectors per station
Supported Connector Types	CHAdeMO, CCS1 (SAE J1772™ Combo), CCS2 (IEC 61851-23)
Cable Length	Standard 4.5 m (15') with Cable Management Kit (CMK) Longer cables with cable management optional
Station Enclosure Rating	Type 3R, IP56
Locking Holster	Yes
Mounting Type	Ground, Wall, Overhead

ChargePoint, Inc. reserves the right to alter product offerings and specifications at any time without notice, and is not responsible for typographical or graphical errors that may appear in this document

## Functional Interfaces

LCD Display	Optional Full-color 200 mm (8") LCD display for driver interaction
Authentication	RFID: ISO 15693, ISO 14443, NEMA EVSE 1.2-2015 (UR) Tap to Charge (NFC on Apple & Android) 15118-2 (EIM) Remote: Mobile and in vehicle (if supported by vehicle)

## Connectivity Features

Local Area Network	2.4 GHz and 5 GHz WiFi (802.11 b/g/n)
Wide Area Network	4G LTE
Supported Communication Protocols	OCPP 2.0
Service and Maintenance	Remote system monitoring, diagnostic, and proactive maintenance

## Safety and Operational Ratings

Vehicle Safety Communication	CHAdeMO – JEVS G104 over CAN, CCS1 – SAE J1772 over PLC and CCS2 — IEC 61851-23
Plug-In Detection	Power terminated per JEVS G104 (CHAdeMO), SAE J2931 (CCS1) and IEC 61851-23 (CCS2)
Safety Compliance	UL and cUL listed: complies with UL 2202, UL 2231-1, UL 2231-2, CSA 107.1 CE marking: complies with IEC 61851-1 and IEC 61851-23
Surge Protection	Tested to IEC 61000-4-5, Level 5 (6 kV @ 3,000A). In geographic areas subject to frequent thunderstorms, supplemental surge protection at the service panel is recommended.
EMC Compliance	U.S and Canada: FCC 15 subpart A Class A; EU: EN55011, EN55022 and IEC61000-6-3 Class B

## Generic Specifications

Operational Altitude	<3,000 m (<9,800 ft)
Operating Temperature	-40°C to 50°C (-40°F to 122°F)
Storage Temperature	-40°C to 70°C (-40°F to 158°F)
Operating Humidity	Up to 95% @ 50°C (122°F) non-condensing

ChargePoint, Inc. reserves the right to alter product offerings and specifications at any time without notice, and is not responsible for typographical or graphical errors that may appear in this document

## Energy Management Features

Dynamic Power Management	Allows a fixed maximum power output per station or lets the system dynamically manage the power distribution per station
Remote Energy Management	Manage output power via the ChargePoint Admin Portal, API, and Open ADR 2.0b VEN

## Ordering Information

The order codes below represent common product configurations. Other product options are available upon request. Please contact ChargePoint Sales for information and order codes. All SKU's displayed include standard cable management and mounting kit. Note, Power Link and Power Block current ratings must match. Eg. 250A with 250A, 200A with 200A.

Description		Order Code
Commercial Models	Express Plus Power Block, holds up to 5 Power Modules, 350A or 300A rated output	EXPP-PB1000-350A-PD or EXPP-PB1000-300A-PD
	Express Plus Power Link PL1000 series, North America, 1x CCS1 350A 4.5m cable, 1x CHAdeMO 200A 4.5m cable, 2 Holsters, 2.4m Cable management kit, Pedestal, 200mm (8") Touch Display, Camera, ChargePoint signage, Contactless credit card and RFID reader, Cellular/WiFi, UL listed	EXPP-PL1021A-5A1S1-2A3S1
	Express Plus Power Link PL1000 series, Europe/UK, 1x CCS2 300A 4.5m cable, 1x CHAdeMO 200A 4.5m cable, 2 Holsters, 2.4m Cable management kit, Pedestal, 200mm (8") Touch Display, ChargePoint signage, Contactless credit card and RFID reader, Cellular/WiFi, CE marked	EXPP-PL1121B-4A2S1-2A3S1
Power Module	EXPP Power Module	EXPP-PM-40kW

ChargePoint, Inc. reserves the right to alter product offerings and specifications at any time without notice, and is not responsible for typographical or graphical errors that may appear in this document

## Ordering Information, Cont.

Fleet Models	Express Plus Power Block, holds up to 5 Power Modules, 250A or 200A rated output	EXPP-PB1000-250A-PD or EXPP-PB1000-200A-PD
	Express Plus Power Link PL1000 series, North America, 1x CCS1 200A 4.5m cable, 1 Holster, 2.4m Cable management kit, Pedestal, RFID reader, Cellular/WiFi, UL listed	EXPP-PL1011X-2A1S1
	Express Plus Power Link PL1000 series, North America, 2x CCS1 200A 4.5m cable, 2 Holsters, 2.4m Cable management kit, Pedestal, RFID reader, Cellular/WiFi, UL listed	EXPP-PL1021X-2A1S1-2A1S1
	Express Plus Power Link PL1000 series, Europe/UK, 1x CCS2 250A 4.5m cable, 1 Holster, 2.4m Cable management kit, Pedestal, ChargePoint signage, RFID reader, Cellular/WiFi, CE marked	EXPP-PL1111X-3A2S1
	Express Plus Power Link PL1000 series, Europe/UK, 2x CCS2 250A 4.5m cable, 2 Holsters, 2.4m Cable management kit, Pedestal, ChargePoint signage, RFID reader, Cellular/WiFi, CE marked	EXPP-PL1121X-3A2S1-3A2S1
Other Connector Options	Cable connectors available include CCS1, CCS2, and/or CHAdeMO. Cables can be ordered with a single connector or a combination, as well as lengths and amperage depending on application.	Please contact ChargePoint Sales for assistance in ordering
Mounting & Template Options	Mounting kits and templates for various mounting are available	Please contact ChargePoint Sales for assistance in ordering
Buy America	Buy America (FTA & FHWA) options available upon request	Add -FTA or -FHWA to part numbers above

ChargePoint, Inc. reserves the right to alter product offerings and specifications at any time without notice, and is not responsible for typographical or graphical errors that may appear in this document

## Software & Services

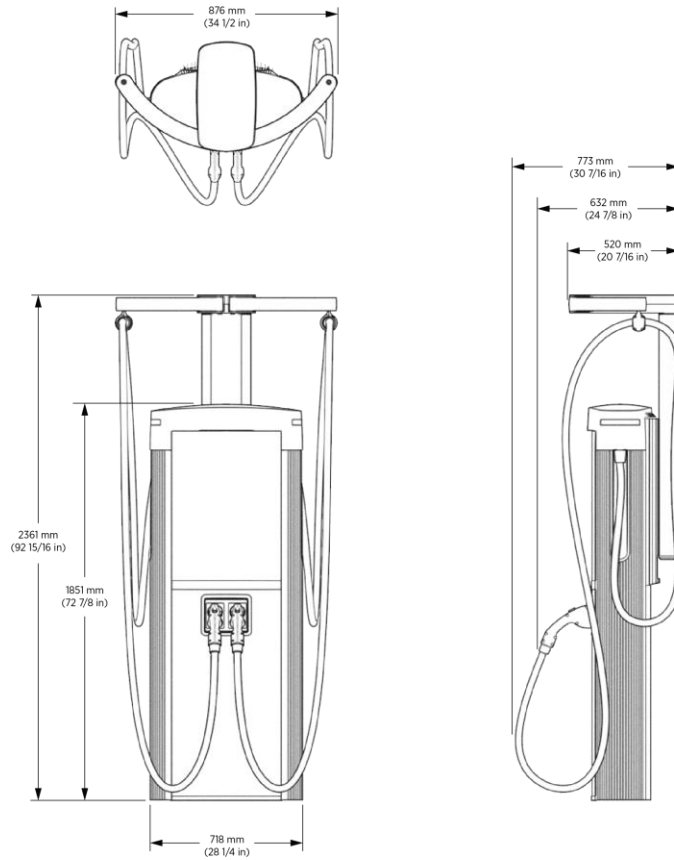
Description	Order Code
ChargePoint Enterprise Cloud Plan (Commercial) <i>Note: One token per vehicle. Station activation is included in this plan.</i>	CPCLD-ENTERPRISE-EXPP-n*
ChargePoint Enterprise Cloud Plan (Fleet) <i>Note: One token per vehicle. Station activation is included in this plan.</i>	CPCLD-FLEETENT-EXPP-n*
ChargePoint Assure® — Prepaid Assure Plan for an Express Plus Single Cable station. Includes Parts and Labor Warranty, Remote Technical Support, On-Site Repairs when needed, Unlimited Configuration Changes, and Reporting	EXPP-PL1000-SC-ASSURE-n*
ChargePoint Assure® — Prepaid Assure Plan for an Express Plus Dual Cable station. Includes Parts and Labor Warranty, Remote Technical Support, On-Site Repairs when needed, Unlimited Configuration Changes, and Reporting	EXPP-PL1000-DC-ASSURE-n*
ChargePoint Assure® — Prepaid Assure Plan for Express Plus Power Block. Includes Parts and Labor Warranty, Remote Technical Support, On-Site Repairs when needed, Unlimited Configuration Changes, and Reporting. (Note: Assumes that EXPP-BLOCK is configured with 5 Power Modules)	EXPP-BLOCK-ASSURE-n*

Note: All Express Plus Power Link stations require a cloud plan.

\*Substitute *n* for desired years of service (1, 2, 3, 4 or 5 years).

## Architectural Drawings

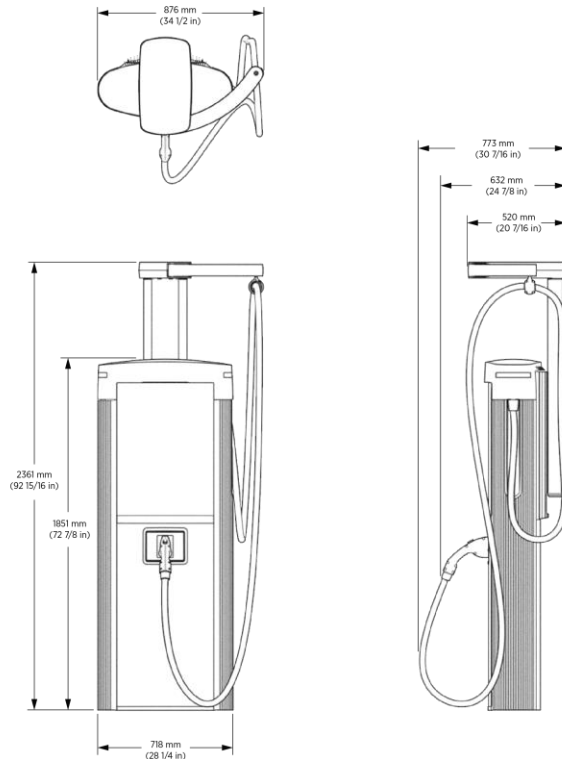
### Express Plus Power Link, No Display (Fleet Option Only)



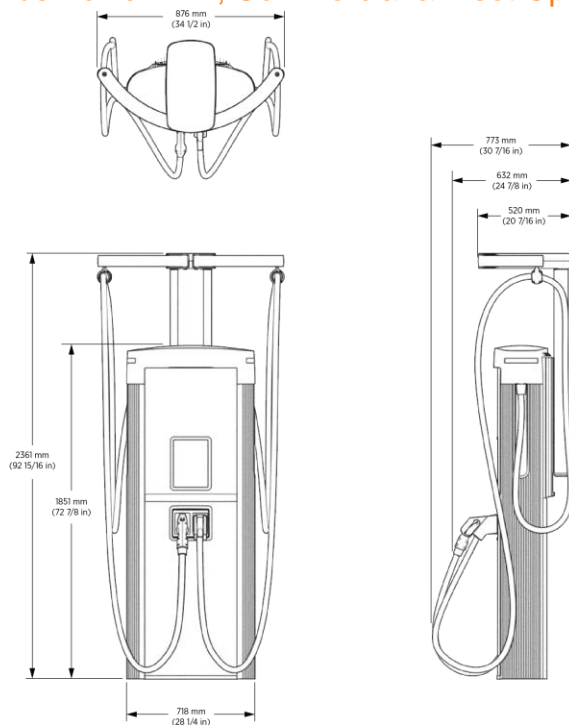
ChargePoint, Inc. reserves the right to alter product offerings and specifications at any time without notice, and is not responsible for typographical or graphical errors that may appear in this document



Express Plus Power Link, No Display, One Connector (Fleet Option Only)

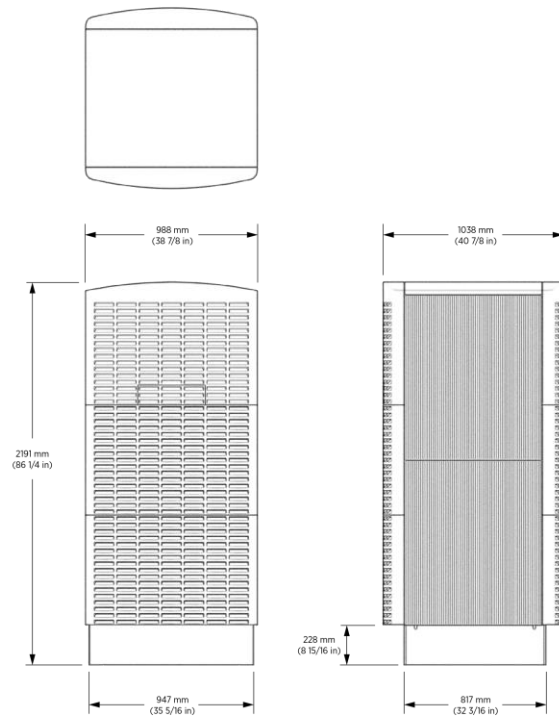


Express Plus Power Link, Commercial & Fleet Option with Screen

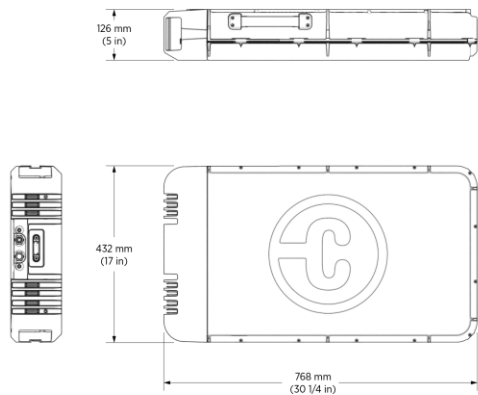


ChargePoint, Inc. reserves the right to alter product offerings and specifications at any time without notice, and is not responsible for typographical or graphical errors that may appear in this document

## Express Plus Power Block



## Express Plus Power Module



ChargePoint, Inc. reserves the right to alter product offerings and specifications at any time without notice, and is not responsible for typographical or graphical errors that may appear in this document



ChargePoint, Inc.  
240 East Hacienda Avenue  
Campbell, CA 95008-6617 USA

+1.408.841.4500 or  
+1.877.370.3802 US and Canada toll-free

[chargepoint.com](http://chargepoint.com)

Contact Us

Visit [chargepoint.com](http://chargepoint.com)

Call +1.408.705.1992

Email [sales@chargepoint.com](mailto:sales@chargepoint.com)

Copyright © 2021 ChargePoint, Inc. All rights reserved. CHARGEPOINT is a U.S. registered trademark/service mark, and an EU registered logo mark of ChargePoint, Inc. All other products or services mentioned are the trademarks, service marks, registered trademarks or registered service marks of their respective owners. February 2021. V.2021.04.001

ChargePoint, Inc. reserves the right to alter product offerings and specifications at any time without notice, and is not responsible for typographical or graphical errors that may appear in this document